

MH32 PLUS 150mm Fluid Head

The E-IMAGE NEW MOTUS LINE Fluid heads are designed with totally new inner structure- continuous stepless counterbalance, which provides precise adjustment and wide application for different cameras. Multi-grades of pan and tilt drag offers accurate feeling that you want. Special designed safety locking plate make sure the plates is locked tightly, avoid any accident. Illuminated bubble level can be checked in dim light conditions.



Features



Continuous variable counterbalance can support from max. payload 32kg down to zero with visualized date display.



Double locking system offer safety operation.



8 steps for both pan / tilt drag adjustment.



Quick install plate with only one press.



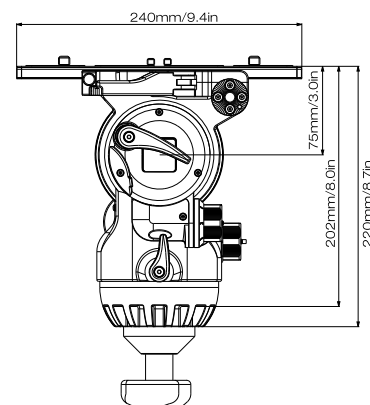
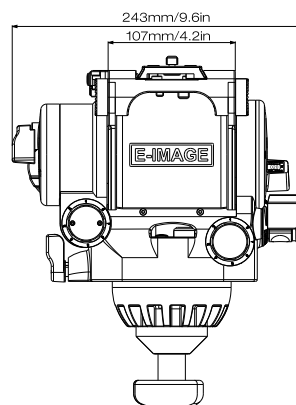
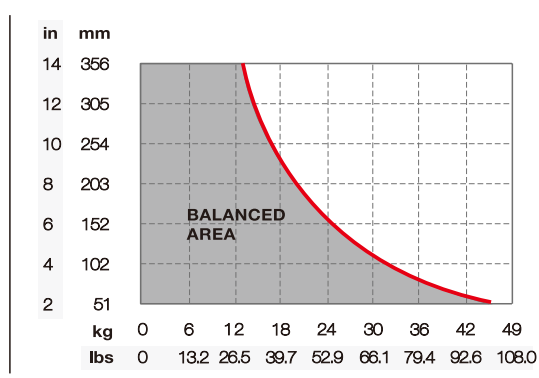
Independent pan / tilt quick locking knob, with ergonomic design.

Specifications

	Payload	32.0kg / 70.5lbs
	Counterbalance	Continuous Variable Counterbalance
	Grades of pan drag	1-8
	Grades of tilt drag	1-8

	Tilt range	-67°~+90°
	Temperature range	-40°C~+80°C
	Net weight	7.1kg / 15.6lbs
	Bowl size	150mm

Counterbalance Graph



Recommend Kit



MOTUS32 PLUS

Fluid head	MH32 PLUS
Tripod	ECT160
Bowl size	150mm
Payload	32kg / 70.5lbs
Counterbalance	Continuous Variable Counterbalance
Drag setting	1-8
Net weight	16.1kg / 35.4lbs
Leg material	Carbon fiber
Leg sections	3
Height range	66.5-184cm / 26.2-72.4in
Transport length	97cm / 38.2in

Recommend accessories



EI-7005B Dolly



EI-7006 Dolly



EI-7007 Dolly